

# TJF-Q170V Duodenoscope

Supporting Your Standard of Care



# TJF-Q170V Duodenoscope

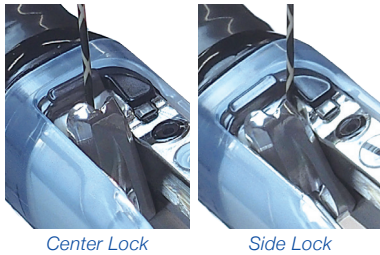
Support Your Standard of Care



## Main Features

### Guidewire Locking Capability

The V-groove facilitates fast and secure guidewire locking of 0.035 inch and 0.025 inch guidewires with dual system at the distal end.



Center Lock

Side Lock

### Narrow Band Imaging (NBI)

Designed for facilitating the observation of capillaries and other structures on the mucosal surface. It may help physicians to see and identify suspicious tissue.

### Single-use Distal Cover

The MAJ-2315 single-use distal cover allows for visualization of the distal end and better access for reprocessing accessories during manual cleaning. The cover is transparent is destroyed during removal, preventing unintended reuse.



MAJ-2315 single-use distal cover for TJF-Q170V

### Distal-end Flushing Adaptor

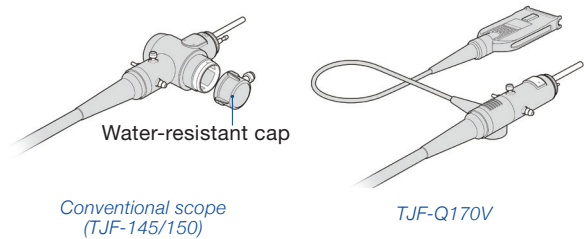
Ensures controlled distribution of detergent and disinfectant solution to the distal tip of the endoscope during manual reprocessing.



MAJ-2319 distal-end flushing adaptor for TJF-Q170V

### Waterproof Connector

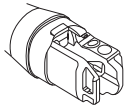
The newly designed connector is fully submersible and therefore eliminates the need for a water-resistant cap, while decreasing the risk of damage due to accidental immersion.




Conventional scope (TJF-145/150)

TJF-Q170V

## Specifications

<b>Optical System</b>	Field of view	100°
	Direction of view	Backward side viewing 15°
	Depth of field	5 to 60 mm
	Distal end outer diameter	13.5 mm
<b>Insertion Section</b>	Distal end enlarged	
	Insertion tube outer diameter	11.3 mm
	Working length	1,240 mm
	<b>Instrument Channel</b>	Channel inner diameter
	Minimum visible distance	10 mm from the distal end

<b>Instrument Channel</b>	Direction from which EndoTherapy accessories enter and exit the endoscopic image	
		Up 120°
<b>Bending Section</b>	Angulation range	Down 90°
		Right 110°
		Left 90°
<b>Total Length</b>	1,560 mm	
<b>Compatible Optera System</b>	OLYMPUS CV-170 video system center	

## Ordering Information

Order Number	Description	Quantity
TJF-Q170V	170-series Duodenovideoscope	1 PC
MAJ-2315	Single Use Distal Cover	20 PC
MAJ-2319	Distal-end Flushing Adapter	1 PC
MAJ-2358	Connecting Tube for OER-AW	1 PC



Olympus TJF-Q170V Duodenoscope

As medical knowledge is constantly growing, technical modifications or changes of the product design, product specifications, accessories and service offerings may be required



**OLYMPUS EUROPA SE & CO. KG**  
 Postbox 10 49 08, 20034 Hamburg, Germany  
 Wendenstrasse 14-18, 20097 Hamburg, Germany  
 Phone: +49 40 23773-0, Fax: +49 40 233765  
 www.olympus-europa.com